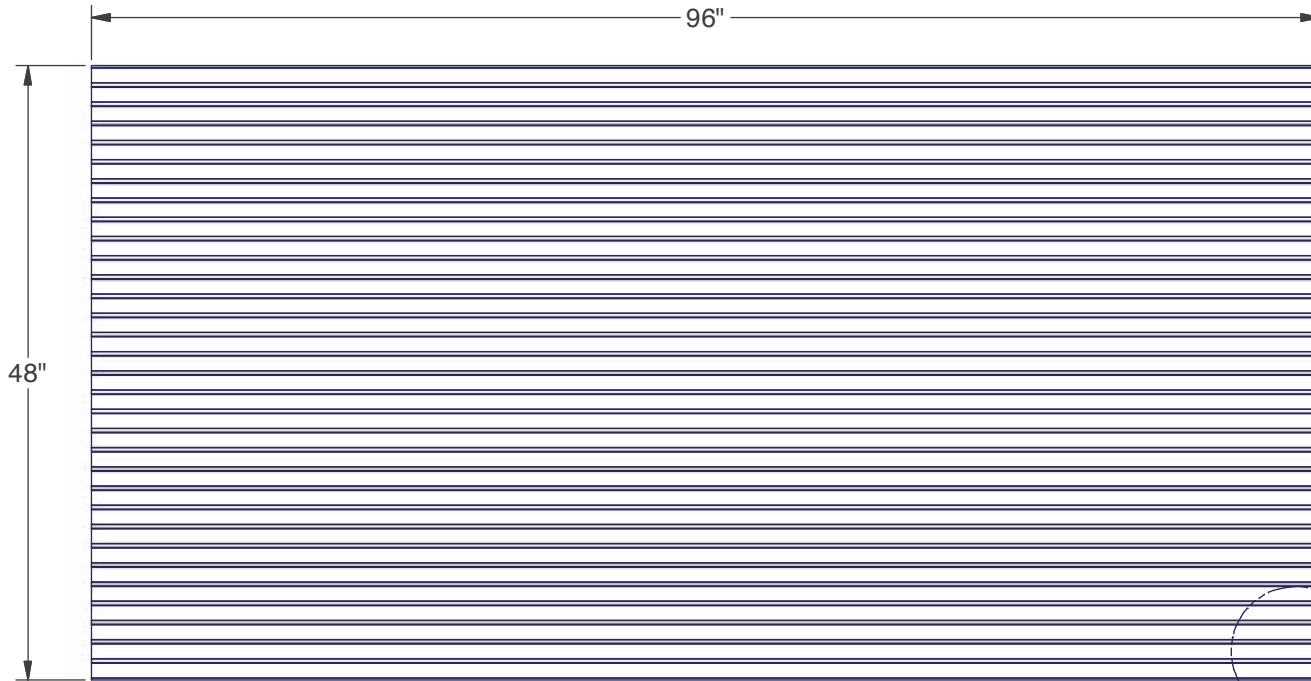


BEADED, 1/4"

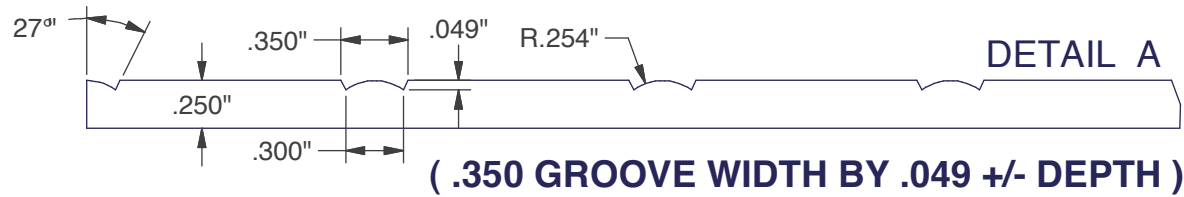
**1.5" ON CENTER GROOVE PATTERN
LARGE BEAD - MDF**

- SPECIES -

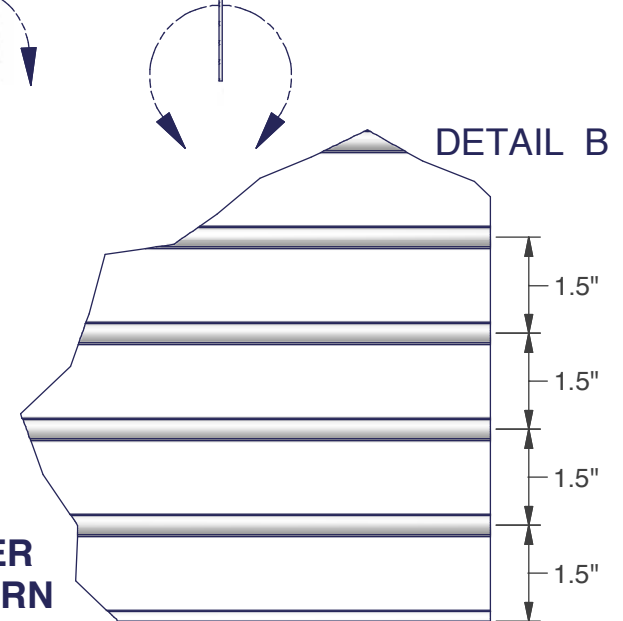
**MDF
(RAW,
PRIMED)**



.250"



DETAIL A



**1.5 " ON CENTER
GROOVE PATTERN**



STATES INDUSTRIES LLC 29545 Enid Road East. Eugene, Oregon 97401 www.statesind.com

THIS INFORMATION IS PROPRIETARY INFORMATION OF STATES INDUSTRIES INC. AND IS DISCLOSED WITH THE AGREEMENT THAT IT WILL BE HELD IN CONFIDENCE AND NOT DISCLOSED TO OTHERS, EXCEPT ON A "NEED TO KNOW" BASIS.

Primary Unit
TOLERANCES
Unless Specified
.0 +/- .6mm
.00 +/- .4mm
.000 +/- .2mm

DRAWN: maintCAD
CHECK:
DATE: 11/5/2008

REVISION LEVEL

MATERIAL:
MDF

PART NAME:
**BEADED
MDF**

PART NUMBER:

PRODUCT CODE:

CUSTOMER: