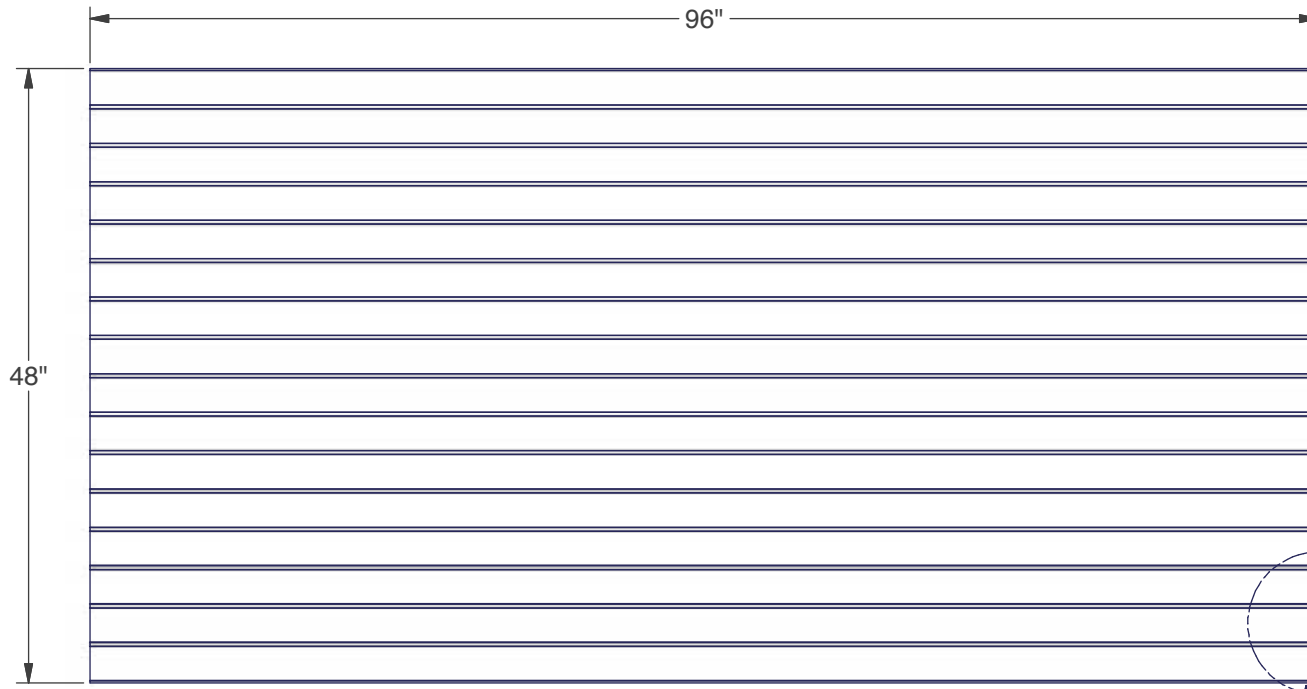


BEADED, 1/4"

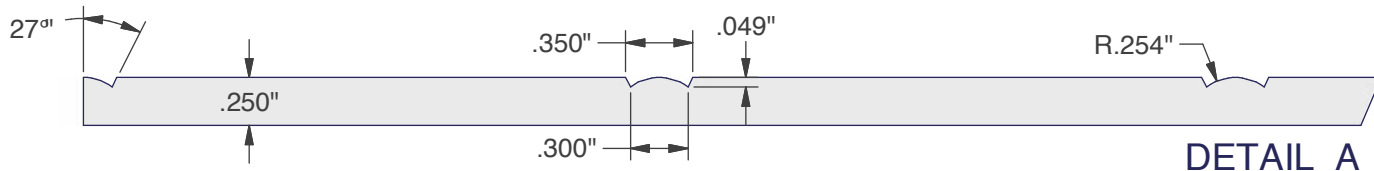
**3" ON CENTER GROOVE PATTERN
LARGE BEAD - MDF**

- SPECIES -

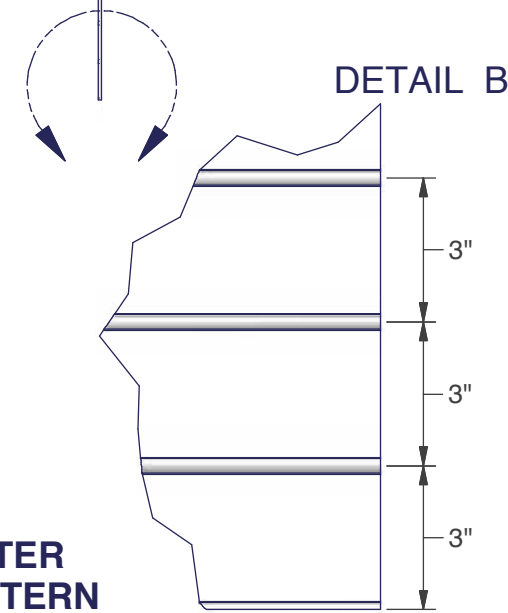
**MDF
(RAW,
PRIMED)**



.250"



(.350 GROOVE WIDTH BY .049 +/- DEPTH)



**3" ON CENTER
GROOVE PATTERN**



STATES INDUSTRIES LLC 29545 Enid Road East. Eugene, Oregon 97401 www.statesind.com

<small>THIS INFORMATION IS PROPRIETARY INFORMATION OF STATES INDUSTRIES INC. AND IS DISCLOSED WITH THE AGREEMENT THAT IT WILL BE HELD IN CONFIDENCE AND NOT DISCLOSED TO OTHERS, EXCEPT ON A "NEED TO KNOW" BASIS.</small>	Primary Unit TOLERANCES Unless Specified .0 +/- .6mm .00 +/- .4mm .000 +/- .2mm	DRAWN: maintCAD CHECK: DATE: 11/5/2008	REVISION LEVEL	MATERIAL: MDF	PART NAME: BEADED MDF	PART NUMBER:	PRODUCT CODE:	CUSTOMER: