

COMPONENTS

States offers fully machined, edge banded and prefinished component parts from our extensive line of panel products.

Parts are engineered to optimize panel constructions with specified face and back veneers and finishes that match your application. They are also machined from panel sizes tailored to optimize yield. Edge treatments

available include solid wood, wood veneer, PVC, polyester and clear or wood grained foils. All States' prefinished components incorporate our premium, ultraviolet cured NOVA® finish in clear, custom color matches, opaque colors or printed woodgrains and in standard and custom gloss selections.



States' Components
for Optimum Performance.

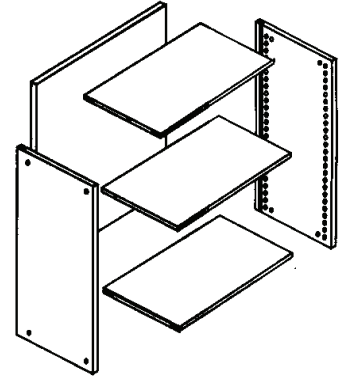




P · A · N · E · L COMPONENTS

Ingenuity. It's in everything we do.

Outsourcing components allows you to focus on those processes where you are most efficient. It also provides you with fixed cost for those outsourced parts, and increases your productivity. Each component is engineered and quoted using the most appropriate panel stock and finish. By integrating our panel manufacturing with our component manufacturing capabilities, we are able to tailor components to their applications, from panel construction through finish.



Full Mfg Services
6 Substrates
Any Face Veneers
NOVA UV Finishes
Custom Color
Matches

Machining

PRODUCTION CUTTING, Rip and crosscutting
DRILLING/BORING, Horizontal and Vertical 8mm
LINE BORING, 32mm O.C. 5mm diameter
HORIZONTAL DRILLING, Pilots, Countersinks, CamLocs
GROOVING, NOTCHING, Dados, T moulds, Kick Plates
EDGEBANDING, Veneer, Lumber PVC, Polyester, Foil
CONTOUR CUTTING, Circles, Ellipses, Arches, Angles to 145°

Typical Components

Carcass assemblies
Cabinet skins & Backs
Cabinet end panels, wall & base
Drawer boxes, Drawer fronts
Loose fixtures
Flat panel doors
Shelving, Tops

RTA Drawers

Ready to assemble drawers are a great example. States offers drawers made from ApplePly® when a bull nosed drawer side is desired, or a special 7 ply 1/2" veneer core when an edgébanded drawer side is preferred. Joinery can be dovetail, bore & dowel or simple rabbet. While most drawer parts are finished clear, we also supply custom color drawer sides and matching color bottoms.

Edgébanding

Edgébanding treatments include natural veneer, (unfinished, clear or color matched) PVC and polyester, 3mm wood or PVC, lumber banding, and clear or woodgrained foils.

Finishes

The majority of components we supply are ordered finished. States' ultraviolet cured NOVA® finishes have set the standard in prefinished hardwood panels, offering clear, standard colors, custom color matches, opaque colors and printed woodgrains. Three standard gloss levels or custom gloss matches are available. finishes.

