

Xtra

States Industries is proud to offer Xtra — a family of hardwood panel products tailored specifically to individual applications. When the need for special panel lengths and thicknesses becomes a problem, Xtra is the solution. The Xtra product line includes over- and under-length panels as well as panels that are thick and thin.

Xtra Long are 10 foot panels that are often used in architectural interior wall applications. The long panels eliminate the need for seams in rooms with high ceilings. They can also be used to improve the yield when component parts are cut from a single panel.

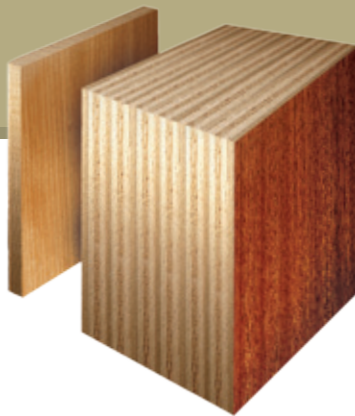
Xtra Shorts consist of 6 and 7 foot panels that are almost always specified to improve yield. Many popular face veneer species and grades are available in Xtra Short.

Xtra Thick panels are frequently used in desk, countertop and shelf applications. Retail fixtures and furniture can also benefit from the visual weight of panels up to 1½ inches thick.

Xtra Thin panels come in seven different thicknesses under ¼ inch. These sizes are perfect for cabinet door inserts, drawer dividers and wall panels.



Xtra Hardwood Panel Products:
For the Perfect Length and Thickness.



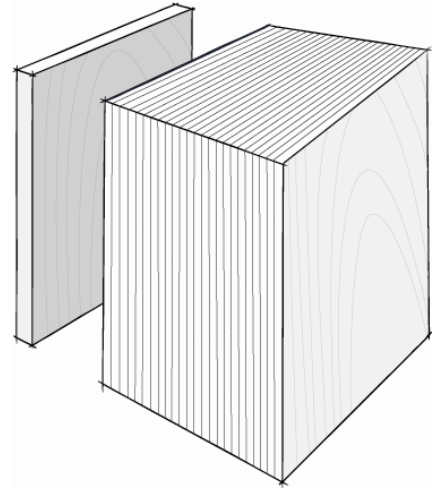


Xtra

APPLICATION SPECIFIC PANEL SIZES

Ingenuity, it's in everything we do.

States Industries Xtra panels address the need for hard to find hardwood plywood panels that are longer, or shorter than the typical 96" length. Also included are panel thicknesses less than 1/4" and greater than 1". Panels of these dimensions allow end users to optimize their yield, span larger dimensions or precisely match panel thickness to dado's in cabinet doors. Thick panels create visual mass in furniture or fixture design.



120" Lengths

Composite, ArmorCore® and veneer cored panels, and most face and back species are available in 120" lengths. Some constructions permit an additional 1/2" oversize beyond 120". Composite cored 120" panels are limited to 1 1/8" or less in thickness, while ArmoreCore® and veneer cored panels are available up to 1 1/4".

72" & 84" Lengths

Short panels can improve yields, particularly with point-to-point machining operations. Not all face and back veneers are available in 6' or 7', but many of the more common species and grades are. As with 120" panels, composite, ArmorCore and veneer cores are available.

1/4" & Thinner

Casegood backs, drawer bottoms, wall panels and cabinet door inserts are the primary applications for thin panels. Door inserts require precise tolerances to fit dados accurately. For that reason we offer panels of 1/8", 5/32", 5.2mm, 5.3mm, 5.4mm, 5.5mm, 7/32" and 1/4".

1" & Thicker

96" veneer cored panels, including ApplePly® are available up to 1 1/2" thick and 120" to 1 1/4", while 96" composite panels may be up to 1 1/4" thick and 120" to 1 1/8". Shelves, countertops, furniture and store fixtures are the primary applications.